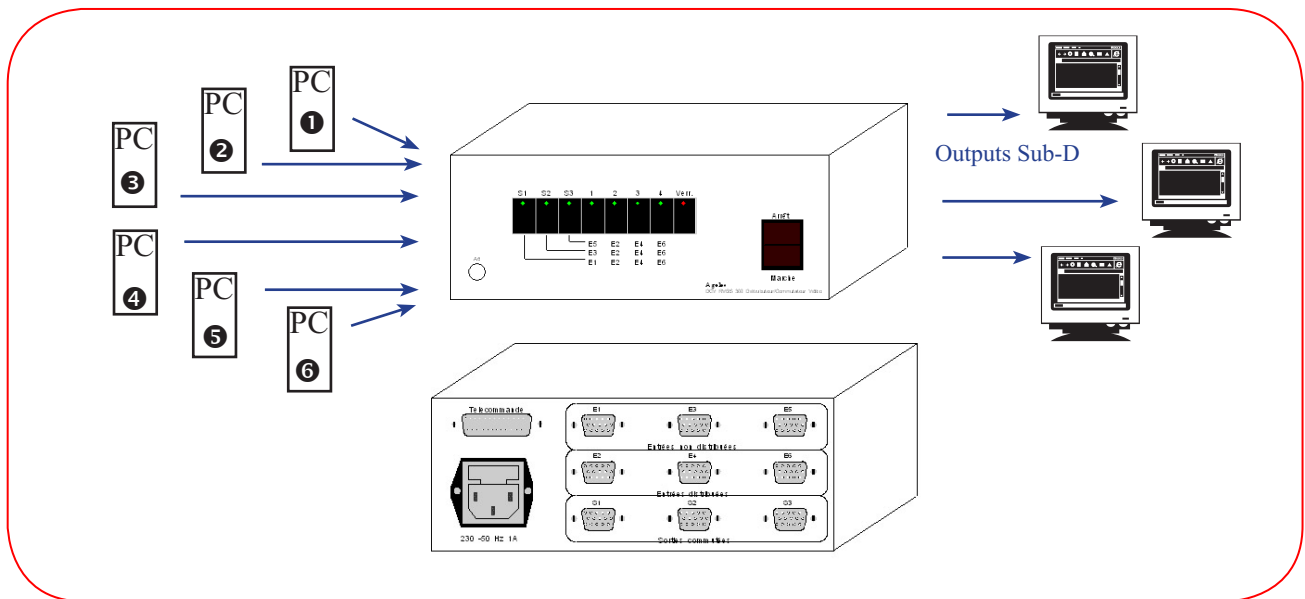


DISTRIBUTION / RGBS VIDEO SWITCHING MATRIX 6 INPUTS 3 OUTPUTS

**Each output can select 1 input among 4 sources
3 out of the inputs are accessible by each output
The 3 others inputs are only accessible with the corresponding outputs**

This is an autonomous box which design and performances allows to switch **RGB video broadcast from high resolution TV studio** (or components) as well as **video computer pictures** (from graphic colour cards) up to **1900 X 1200**.



BENEFITS

- Selection of high resolution images thanks to its 300 MHz bandwidth
An integrated keyboard with 8 keys on the front panel makes it possible to locally control the switching to carry out.
- One key allows to lock the keyboard
- Possibility of cascading the boxes (The N°1 box outputs attacks the E1 inputs, E3 and E5 of the N°2 box) to realize a matrix (6 inputs X 3 outputs)

SWITCHING AT A DISTANCE

Switch your video sources thanks to a remote control 25 points on the back panel :

- Either per **serial RS232** (or RS485 in option)
- Or with a remoted keyboard (with ground connection)

APPLICATIONS

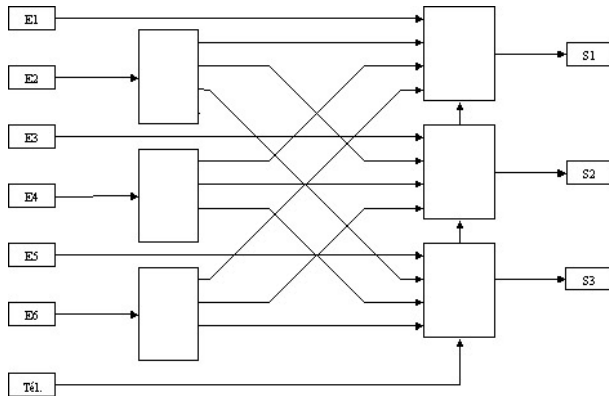
CAD, Process control (synoptical diffusion), Real Time Control Room, Exhibitions,
Conference room, Training & Simulation,
Distance learning...



Technical Specs : DCV RVBS - 300



DISTRIBUTING / SWITCHING



Available Selection :

S1 = E1 or E2 or E4 or E6

S2 = E3 or E2 or E4 or E6

S3 = E5 or E2 or E4 or E6

INPUT SIGNAL :

- ANALOGICAL VIDEO :
1,5 p/p (max 75 Ω)
- SYNCHRONIZATION :
TTL 75 Ω
Positive or negative or mixed to the video

OUTPUT SIGNAL :

- ANALOGICAL VIDEO :
Gain = 1
Offset voltage 0 V \pm 100mV
Bandwidth : >300 MHz to - 3 dB
Maximum level : 1,5 c/c 75 Ω
Crosstalk : > 40 dB
- SYNCHRONIZATION : The commuted output is the same than the chosen input in polarity. Level TTL / 75 Ω

CONNECTING :

- Coaxial :
⇒ **Inputs** : SUB'D 15 points male HD
⇐ **Outputs** : SUB'D 15 points female HD
- Remote control :
SUB'D 25 points female
Serial connector RS232 (RS 485 in option) or :
Ground connected

POWER SUPPLY :

- Main : 230V 50/60 Hz \pm 10%
(or 115V 60Hz in option)
- Consumption : 16 VA

CONDITIONS D'UTILISATION :

- Stocking temperature : -20° C to + 85° C.
- Operating temperature : 0° to + 55°C.
- Relative humidity : 90% HR maximum

SIZE & WEIGHT :

- Length : 210 mm
- Height : 85 mm
- Depth : 146 mm
- Weight : 2 kg